



HF-Regulator 136 PL-L EII 220-240V 50/60Hz

Product family description

Flat, lightweight high-frequency electronic regulating ballast, using 1-10V protocol for PL-L fluorescent lamps

Features and Benefits

- Lamp power can be regulated from 1% to 100%
- Flat ballast design, 21 mm high
- Analog control input according to the 1-10V industry standard
- Increased lamp wire flexibility thanks to the Parasitic Capacitance Compensation (longer lamp wiring possible up to 2 m)
- Protected against excessive mains voltages, incorrect connections and incorrect lamp use
- Striation-free operation, no stroboscopic effects
- Automatic stop circuit is activated within 5 s in case of lamp failure (safety stop)
- Ballast resets automatically after lamp replacement
- Equipped with WAGO 251 connectors suitable for automatic wiring machines
- Up to 60% reduction in energy consumption by using automatic lighting control systems
- Quick programmed start: 0.5 s, flicker-free warm start by preheating the lamp electrodes enables the lamps to be switched on and off without reducing useful life. Ideal for areas with a high switching frequency
- Smart power ensures constant light, independent of mains voltage fluctuations
- EII-dim technology: a dedicated IC for independent control of each electrode:
 - lamp life is unaffected by dimming level
 - stable lamp burning at every dimming level
 - maximum energy savings in dimmed operation

Applications

- 1-10V installations with daylight linking and/or movement detection (for energy savings)
- 1-10V installations with remote control systems (combining energy savings with comfort)
- Installations with emergency back-up, according to IEC 60598-2-22

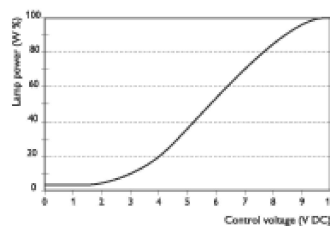
Product data	
Order code	911827 30
Full product code	871150091182730
Full product name	HF-Regulator 136 PL-L EII 220-240V 50/60Hz
Order product name	HF-R 136 PL-L EII 220-240V 50/60Hz

PHILIPS

Product data	
Packing type	Unpacked
Pieces per pack	1
Packing configuration	12
Packs per outerbox	12
Bar code on pack – EAN1	8711500911827
Bar code on intermediate packing – EAN2	
Bar code on outerbox – EAN3	8711500911834
Logistic code(s) – 12NC	9137 006 19966
ILCOS code	
Net weight per piece	0.260 KG
Successor order code	
Interface	1–10V
Rated Number of Lamps	1 piece
Rated Ballast–Lamp Power	36
Rated Lamptype	PL-L
Application code	EII
Line Voltage	220–240V
Line Frequency	50/60Hz
Energy Efficiency Index	A1

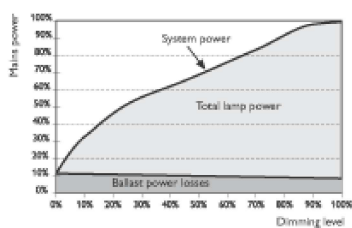


HF-R



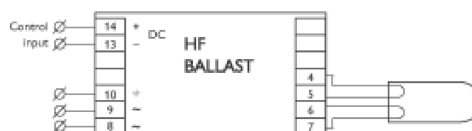
Relation between lamp power and 1–10V regulation (with 1% dimming)

HF-R



Input power vs dimlevel HR-REGULATOR II (1–10V)

HF-R

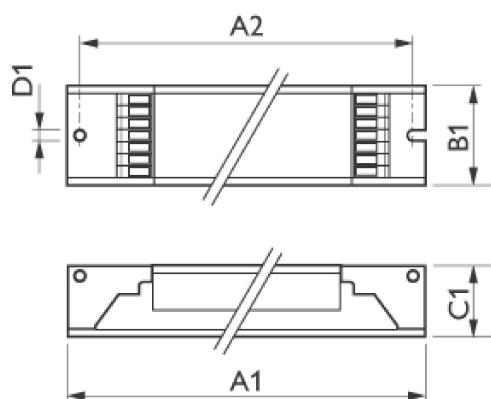


HF-R 1 PL-L/TL5/PL-L

EII

TECHNOLOGY

1-10V



HF-R

	A1	A2	B1	C1	D1
Full product name	Nom	Nom	Nom	Nom	Nom
HF-Regulat or 136 PL-L EII 220-2 40V 50/60 Hz	360	350	30	22	4.2



Distributed by: PRC Technologies Corp., Ltd. Tel: 02 530 1714, 02 530 1619, 02 530 1621 Fax: 02 530 1731
Email: info@prctechnologies.co.th, www.prctech-th.com